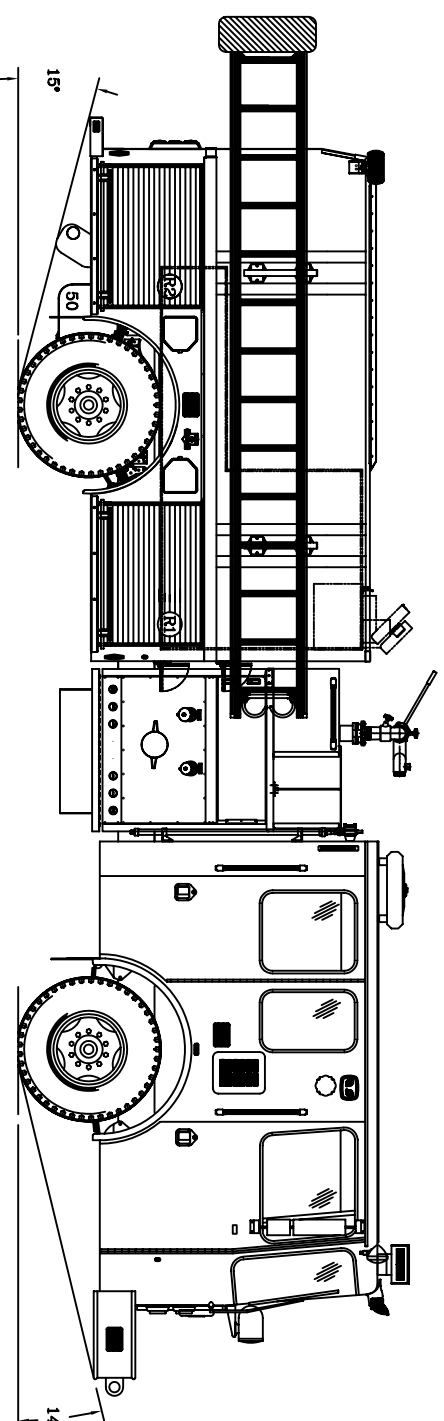
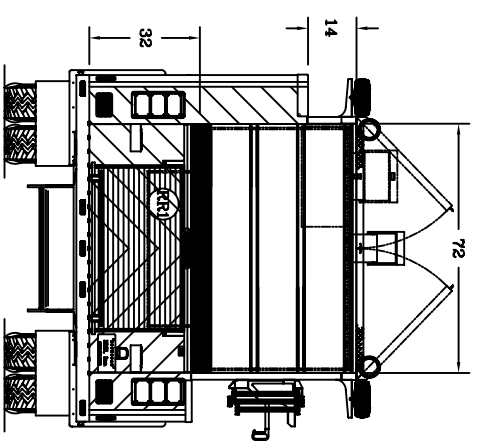
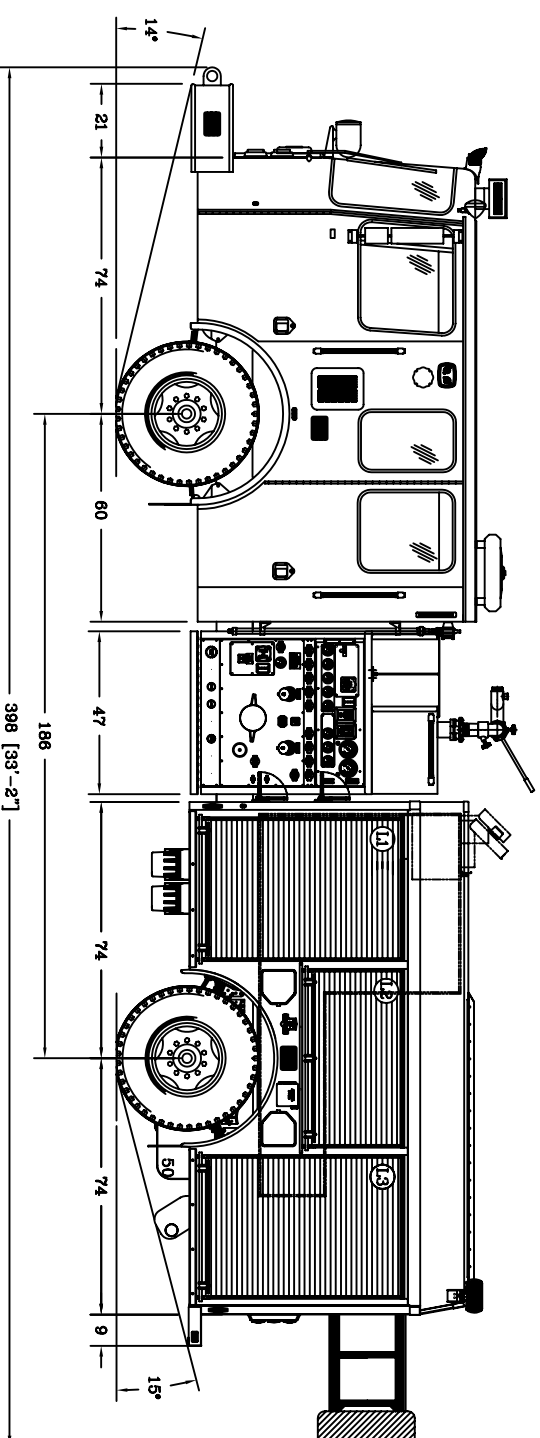
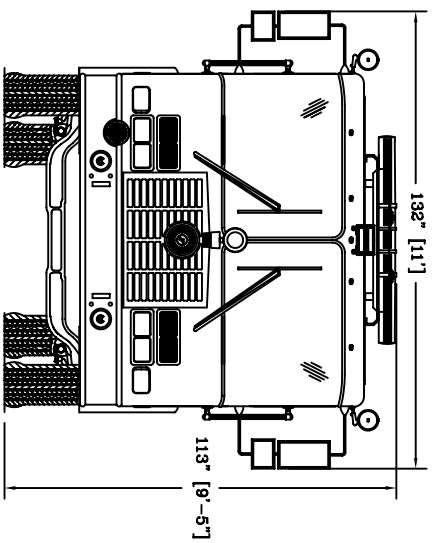
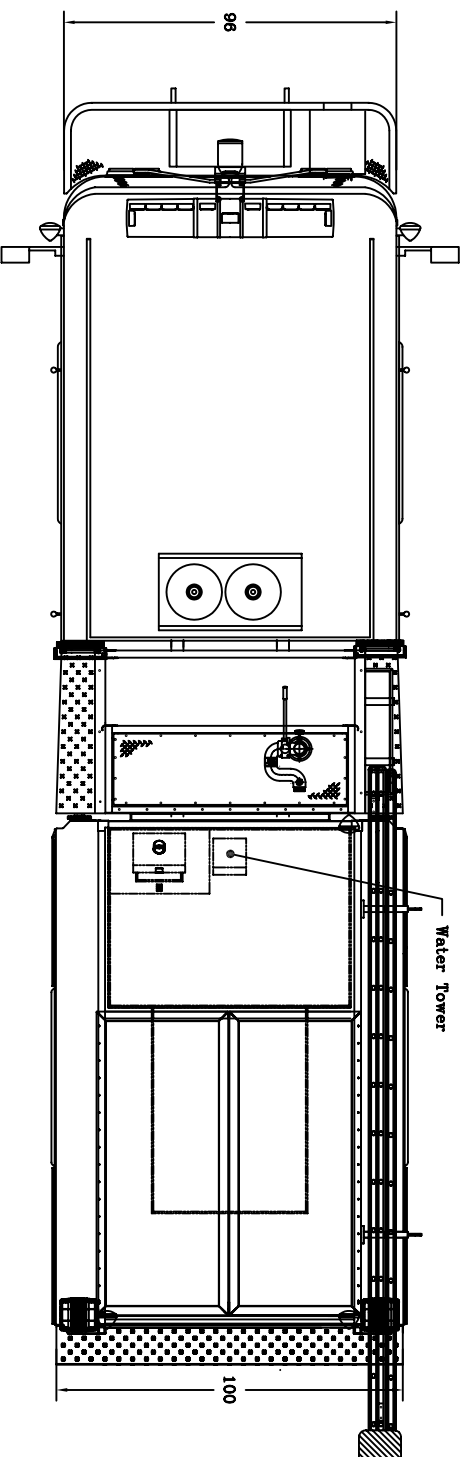


8 7 6 5 4 3 2 1

THIS DRAWING IS AN OVERALL REPRESENTATION OF THE APPARATUS AS PROPOSED.
 THE EXACT LOCATIONS OF ACCESSORIES OR COMPONENTS MAY BE REVISED PENDING COMPLETE ENGINEERING REVIEW OF THE OPTION CONTENT OF THE ORDER.
 IF THERE IS A DISCREPANCY BETWEEN THE BODYBUILDER PRINT AND THE WRITTEN PROPOSAL, THE SPECIFICATIONS WITHIN THE PROPOSAL PREVAIL.



This drawing, along with any changes made and initiated by both the "Fire Department" & HME, Inc. represents what will be constructed and supplied to the "Fire Department." Any changes to the contract specifications and drawing after today's date will be addressed via appropriate change order signed and approved by both the "Fire Department" & HME, Inc.

APPROVED BY: _____ TITLE: _____
 FIRE DEPARTMENT: _____
 HME, Incorporated

CREATED WITH AutoCAD®



1950 BYRON CENTER AVE.
 WYOMING, WY. 83099

THIS PRINT IS PROVIDED ON A RESTRICTED BASIS AND IS NOT TO BE USED IN ANY WAY DETRIMENTAL TO THE INTERESTS OF HME, INC.

NAME: 21681 - HME 1871P CAT DEMO

DRAWN: G. J. ANDERSON DATE: 22 MAY '09 APPROVED: _____ DRAWING FILE: _____

THIS SCALE: _____ SIZE: _____ NUMBER: 21681 HME CAT DEMO DWG. SCALE: _____ SHEET: 1 OF 1

1 2 3 4 5 6 7 8