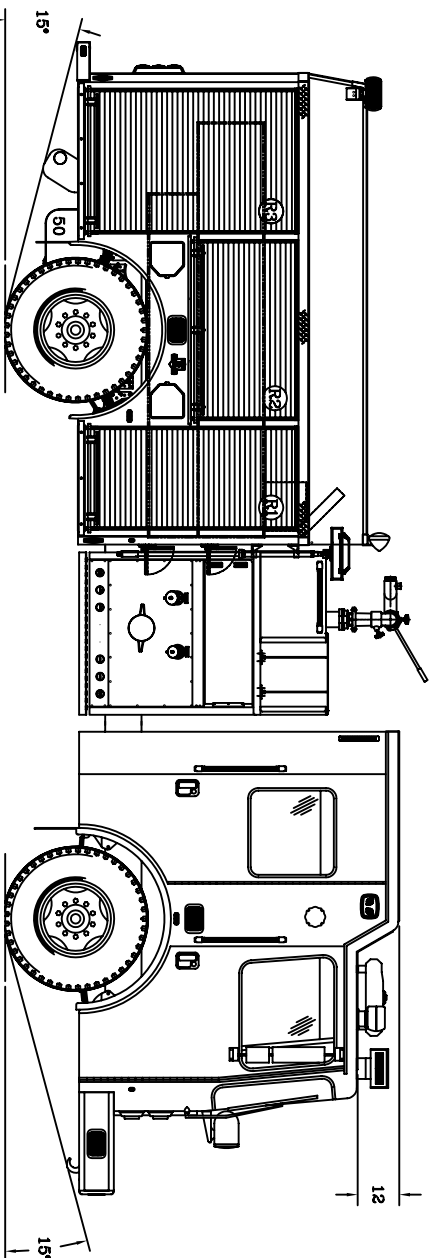
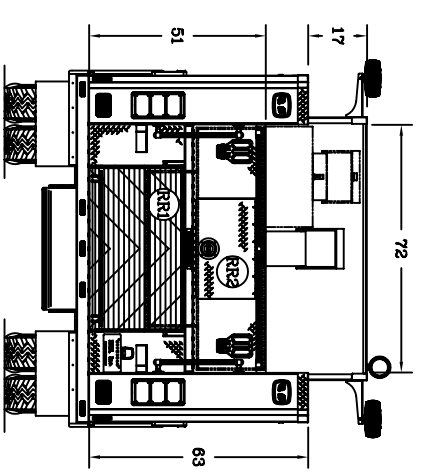
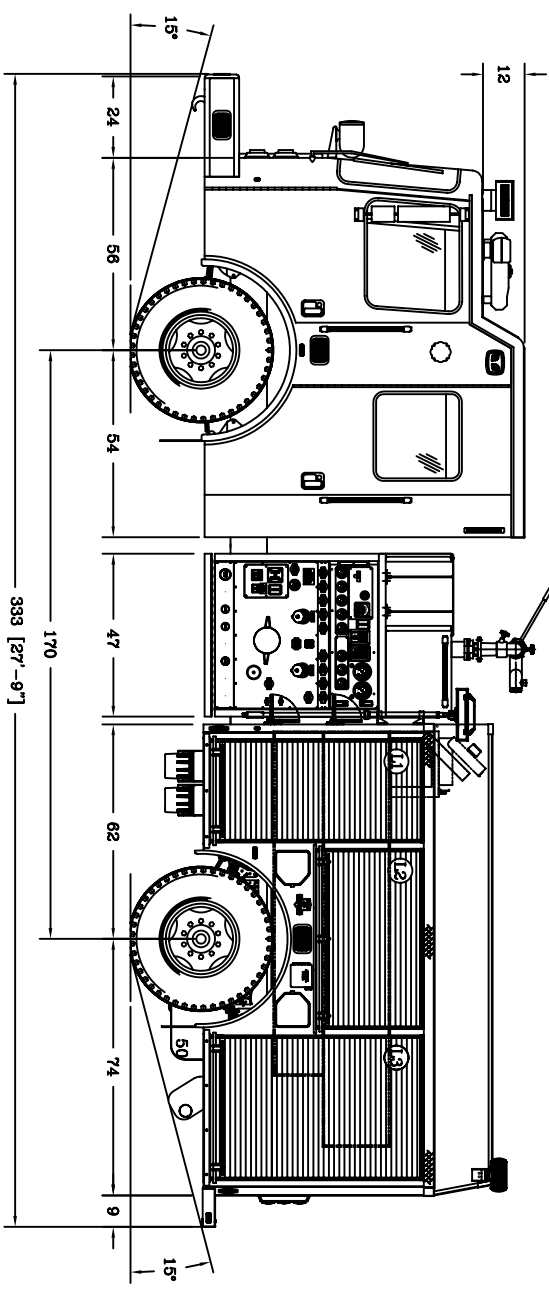
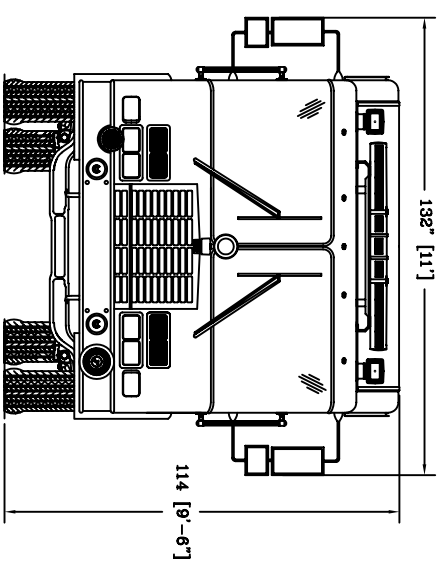
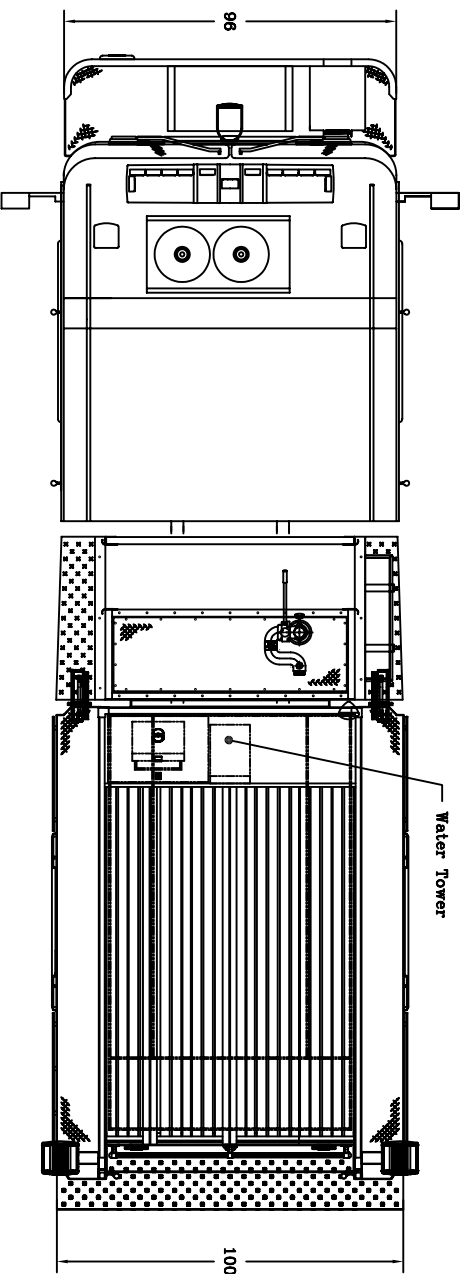


THIS DRAWING IS AN OVERALL REPRESENTATION OF THE APPARATUS AS PROPOSED.
 THE EXACT LOCATIONS OF ACCESSORIES OR COMPONENTS MAY BE REVISED PENDING COMPLETE ENGINEERING REVIEW OF THE OPTION CONTENT OF THE ORDER.
 IF THERE IS A DISCREPANCY BETWEEN THE BODYBUILDER PRINT AND THE WRITTEN PROPOSAL, THE SPECIFICATIONS WITHIN THE PROPOSAL PREVAIL.



This drawing along with any changes made and initiated by both the Fire Department & HME, Inc. represents what will be constructed and supplied to the Fire Department. Any changes to the contract specifications and drawing after today's date will be addresses via appropriate change order signed and approved by both the Fire Department & HME, Inc.

APPROVED BY: _____ TITLE: _____
 FIRE DEPARTMENT
 HME, Incorporated

CREATED WITH AutoCAD®

HME
 INCORPORATED
 1950 BYRON CENTER AVE.
 WYOMING, WY. 83099

THIS PRINT IS PROVIDED ON A RESTRICTED BASIS AND IS NOT TO BE USED IN ANY WAY DETRIMENTAL TO THE INTERESTS OF HME, INC.

NAME: 21625 - HME DEMO 4

DRAWN	DATE	APPROVED	DRAWING FILE
G.SUNDERSON	17 MAR '09	N/A	21625 - HME DEMO 4.DWG
NAME	DATE	APPROVED	DRAWING FILE
21625 - HME DEMO 4	17 MAR '09	N/A	21625 - HME DEMO 4.DWG
SCALE	1 OF 1		