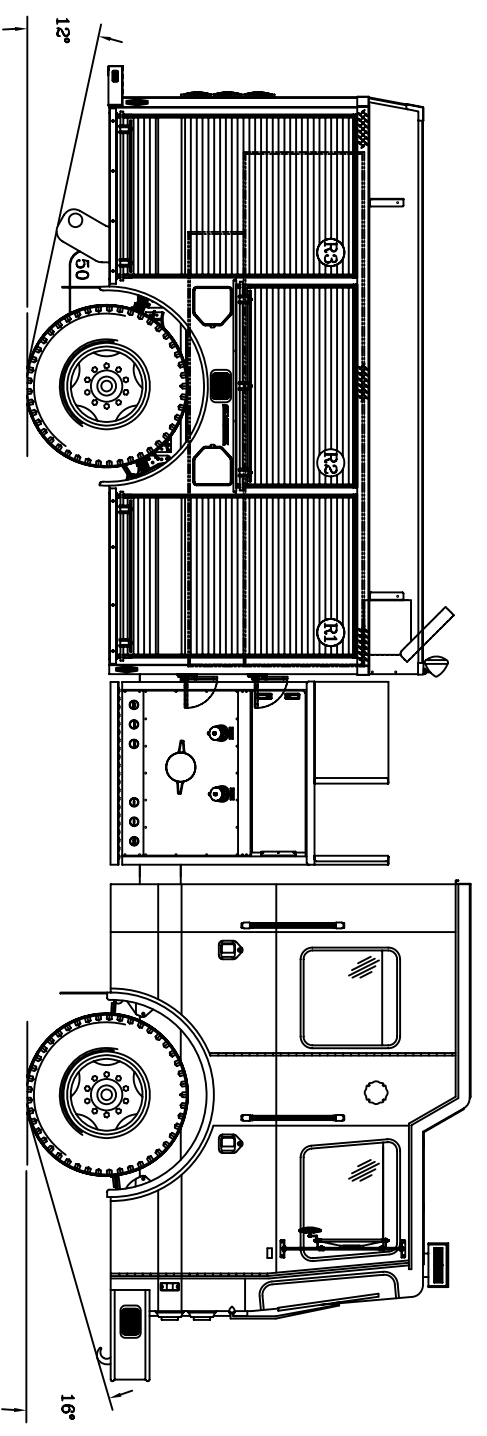
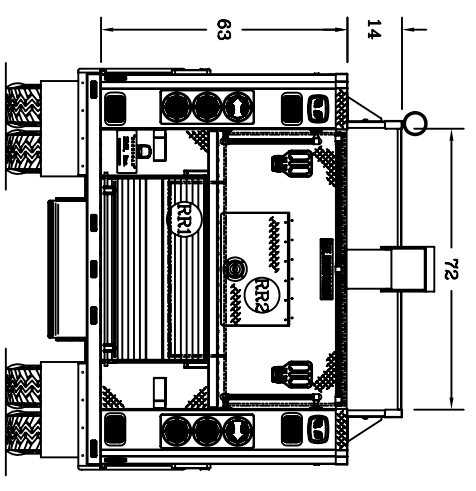
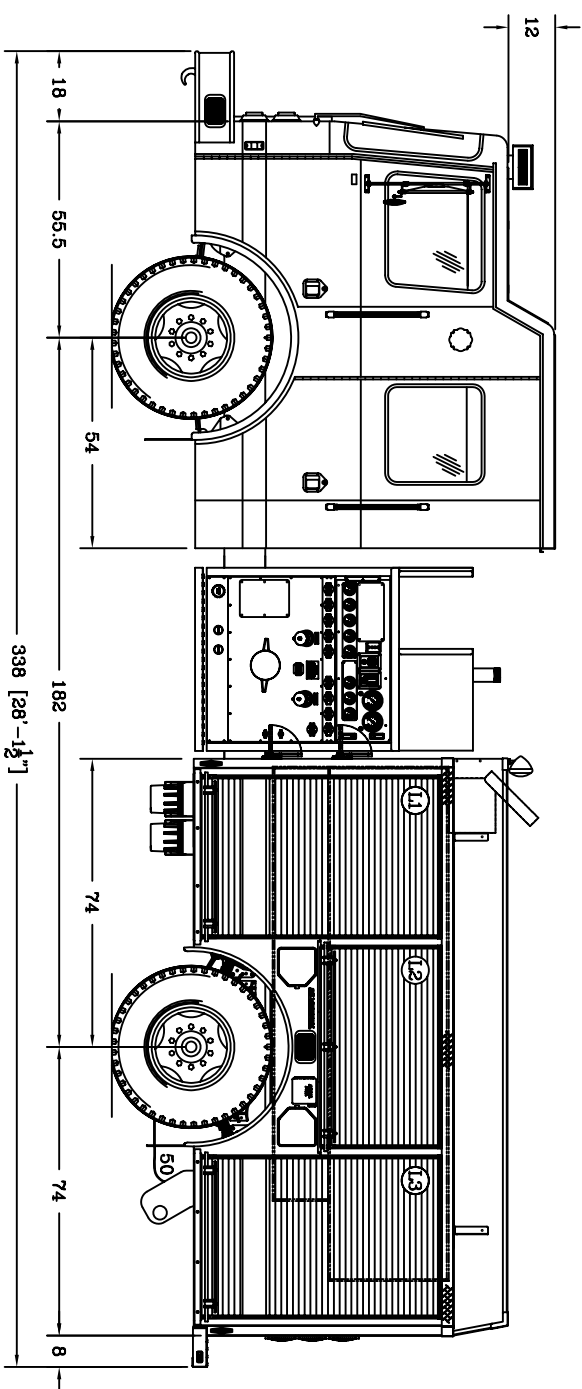
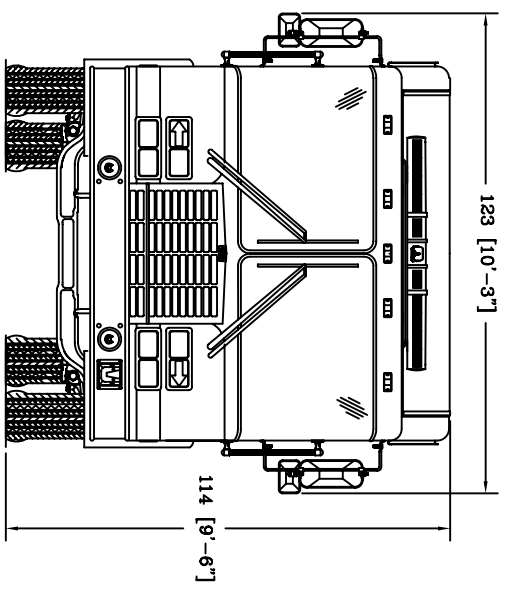
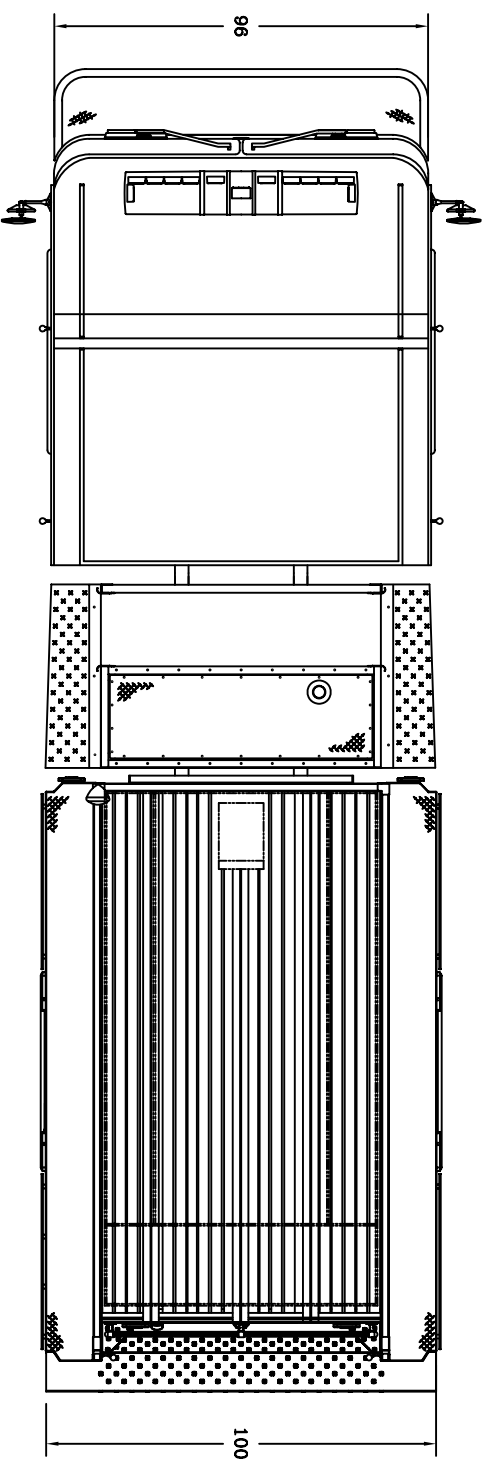


THIS DRAWING IS REPRESENTATIVE OF THE APPARATUS PROPOSED.
 IF THERE IS A DISCREPANCY BETWEEN THIS PRINT AND THE WRITTEN PROPOSAL,
 THE SPECIFICATIONS WITHIN THE PROPOSAL PREVAIL.



A	KCL	5/8/07	ORIGINAL RELEASE
LET	BY	DATE	REVISION
<p>HME INCORPORATED</p> <p>1950 BYRON CENTER AVE. WYOMING, WY. 83409</p>			
<p>THIS PRINT IS PROVIDED ON A RESTRICTED BASIS AND IS NOT TO BE USED IN ANY WAY DETRIMENTAL TO THE INTERESTS OF HME, INC.</p>			
NAME			
DRAWN	DATE	APPROVED	DRAWING FILE
KCL	05/08/07	N/A	
<p>THIS DRAWING IS REPRESENTATIVE OF THE APPARATUS PROPOSED. IF THERE IS A DISCREPANCY BETWEEN THIS PRINT AND THE WRITTEN PROPOSAL, THE SPECIFICATIONS WITHIN THE PROPOSAL PREVAIL.</p>		<p>1950 BYRON CENTER AVE. WYOMING, WY. 83409</p>	
SCALE	SHEET		
1 OF 1	1		

CREATED WITH AutoCAD®